

---

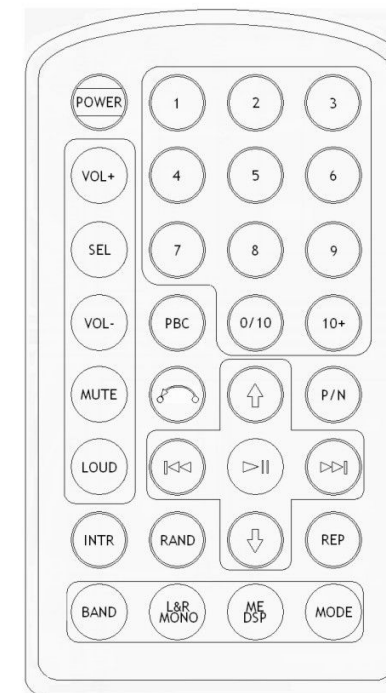
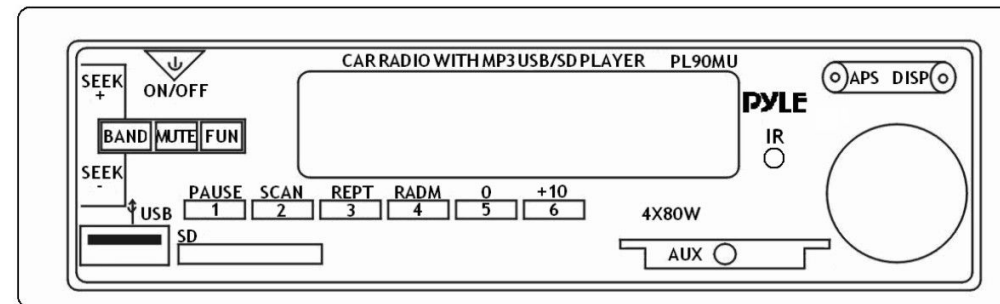
# PYLE

## PL90MU

### USER`S MANUAL

#### Car Stereo System

---



- Fix Panel
- Car Radio With USB/SD/AUX IN Player
- AM/FM PLL Stereo Receiver
- Compatible With MP3/WMA
- USB/SD Direct Playback

[www.pyleaudio.com](http://www.pyleaudio.com)

**CONTENTS**

---

**1. Precautions .....1**

**2. WARNING .....1**

**3. Installation & Maintenance .....2**

**4. Wiring Connection Diagram .....4**

**5. Front Panel Diagram .....4**

**6. Function Of The Unit Front Panel .....5**

**7. Remote Controller Diagram .....6**

**8. Function Of The Remote Controller .....6**

**9. Basic Operation .....7**

**10. Radio Operation .....8**

**11. USB/CARD Operation .....8**

**12. Common Trouble Shooting .....9**

**13. Specification .....10**

**Precautions**

1. This product is designed to operate with a 12V car DC battery. Higher or lower voltage may affect the normal performance of the unit, even damage the unit.
2. Please connect the unit according to the installation instruction. Incorrect connection may cause troubles to the player or damage the electrical system.
3. Before turn on the unit, make sure that the unit is connected properly.
4. To replace the damaged fuse, be sure to use only the fuse with the same rating as prescribed on the unit.
5. Do not block the intake or radiator board, in order to avoid player overheating.
6. Do not attempt to disassemble or modify this product, otherwise it may cause trouble.
7. Stop the car before performing any complicated operation.
8. Do not play this product in too high or too low temperature. The proper temperature is from -20 to 80, in which the player can run normally.



**WARNING**

•For maintenance of the unit, please turn off the unit before lock your car.

**Specification**

Supply voltage	12V DC		
Current consumption	Less than 10A		
Audio signal output	4X80W		
Characteristics	(1) frequency response: 20Hz-20 kHz		
	(2) S/N ratio: 90dB (JIS)		
	(3) Wow and flutter: Below measurable limits		
	For 3 bands (Europe) FM	For 2 bands (Europe) FM	For 2 bands (U.S.A) FM
Frequency coverage	87.5 to 108 MHz	87.5 to 108MHz	87.5 to107.9 MHz
IF	10.7 MHz	10.7 MHz	10.7 MHz
Sensitivity(S/N=30dB)	15dBu	15dBu	15dBu
	MW	MW	MW
Frequency coverage	522 to 1620 kHz	522 to 1620 kHz	530 to 1710 kHz
IF	450 kHz	450 kHz	450 kHz
Sensitive (S/N=20dB)	40 dBu	40 dBu	40 dBu
	LW (Optional)		
Frequency coverage	144 to 290 kHz		
IF	450 kHz		
Sensitivity (S/N=20dB)	45 dBu		

**NOTE:**

Due to improvements in technology, specifications and design are subject to modification, without notice.

**2. Repeat Play/Random P lay/Scan Play**

Short press the REP on the remote controller or long press the 3/REPT on the front panel for more than two seconds, the unit will switch the play mode to repeat track play. Press them again similarly to restore normal play.

Short press the RAND button on the remote controller or long press the 4/RADM on the front panel for more than two seconds, the unit will switch play mode to random play. Press them again similarly to restore normal play.

Short press the INTR button on the remote controller or long press the 2/SCAN on the front panel for more than two seconds, the unit will switch play mode to scan play. Press them again similarly to restore normal play.

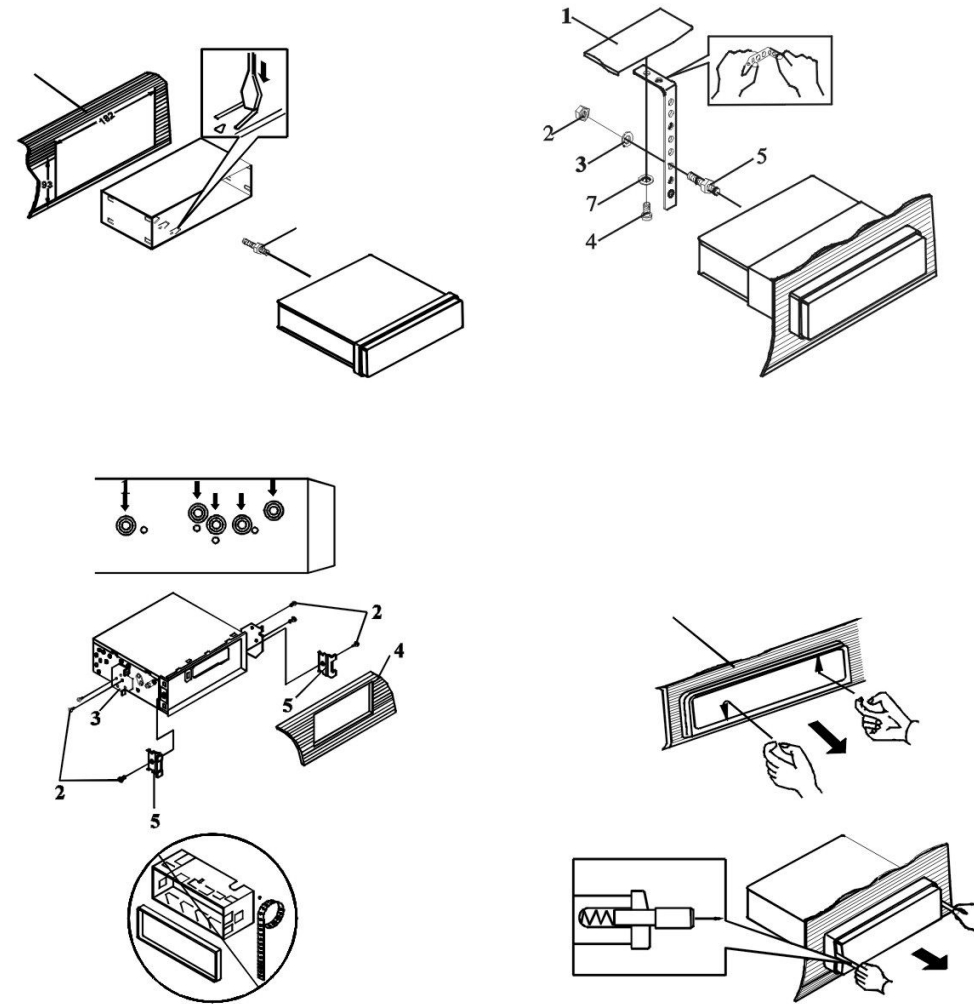
**Common Trouble Shooting**

If meet trouble, check wiring connection before looking through the check table. If any troubles are out of the check table, please consult your nearest dealer for service.

Symptom	Cause	Solution
No power.	The car ignition is not on.	If the power supply is properly connected to the car accessory terminal, switch the ignition key to "ACC".
	The fuse is blown.	Replace the fuse.
No sound.	Volume is in minimum.	Adjust volume to desired level.
	Wiring is not properly connected.	Check wiring connection, and correct it.
Radio doesn't work.	The antenna cable is not properly connected.	Insert the cable firmly.
Radio can't search stations automatically.	The signal is too weak.	Search stations manually.

**Installation & Maintenance**

This unit can be properly installed either from "Front" or "Rear". For details, refer to the following illustrated installation methods.



**DIN FRONT-MOUNT (Method A)**

1. Dashboard
2. Holder After inserting the holder into the dashboard, select the appropriate tab according to the thickness of the dashboard material and bend them inwards to secure the holder in place.
3. Screw
  - Parts used:
  - 1. Dashboard
  - 2. Nut (5mm)
  - 3. Spring washer
  - 4. Screw (5 x 25mm)
  - 5. Screw



6. Strap

Be sure to use the strap to secure the back of the unit in place. The strap can be bent by hand to the desired angle.

7. Plain washer

**DIN REAR-MOUNT (Method B)**

Installation using the screw holes on the sides of the unit.

1. Frame

Insert fingers into the groove in the front of frame and pull out to remove the frame.

3. Lever

Insert the levers supplied with the unit into the grooves at both sides of the unit as shown in figure until they click. Pulling the levers makes it possible to remove the unit from the dashboard.

Fastening the unit to the factory radio mounting bracket.

1. Select a position where the screw holes of the bracket and the screw holes of the main unit become aligned and tighten the screws at 2 places on each side. Use either truss screws (5 x 5mm) or flush surface screws (4 x 5mm), depending on the shape of the screw holes in the bracket.

2. Screw

3. Factory radio mounting bracket

4. Dashboard or Console

5. Hook (Remove this part)

NOTE:

1. Only qualified and authorized service personnel can install this player, to avoid damaging your car, please consult the dealer when you install this product.
2. Do not try to maintain this player yourself, if you meet trouble, just consult the dealer, and leave the task to the qualified service personnel.

**Radio Operation**

Following operations are in Radio mode.

**1. Station Search**

- a. Short press the SEEK+/SEEK- on the front panel to search the previous/next station manually; long press them for more than two seconds to search the previous/next station automatically.
- b. Short press the APS button on the front panel, the radio searches every preset station automatically, and holds every preset station for a few seconds in order, respectively. Long press the button for more than two seconds, the radio searches stations from low frequency to high frequency, and checks the signal strength level until one cycle is finished. And then, six stations with the strongest level are preset to the corresponding preset number automatically. Similarly, using the ROOT button on the remote controller can serve the same purpose.

**2. Station Selection And Storage**

- a. Short press number buttons (1~6) on either the front panel or the remote controller to select corresponding station stored in memory (1~6).
- b. Long press number buttons (1~6) on either the front panel or the remote controller to store the frequency of the current station into corresponding memory (1~6).

**USB/CARD Operation**

Following operations are in USB/CARD mode.

**1. Item Selection And Play/Pause/Stop**

- a. Short press ◀▶ on the remote controller to select the previous/next item to play. Also, short press the SEEK+/SEEK- buttons on the front panel can serve the same purpose.
- b. Long press ◀▶ on the remote controller to speed up playing current item backward/forward until you release it and the unit returns to normal play. Also, long press the SEEK+/SEEK- buttons on the front panel similarly can serve the same purpose.
- c. Press ⏸ on the remote controller to make the current play pause, and press it again to resume current play.
- d. Select the track whose number is larger than "10" to play, by using the number buttons on both front panel and remote controller. Short press one number button first, and then short press another button immediately, the track whose number is composed of the pressed two button numbers will play soon. Specially, you can select the track whose number is bigger than the current playing one by ten to play, by using the "10+" key on the remote controller.
- e. Some else buttons on the front panel are of item selection function, as stated in **Function Of The Unit Front Panel** table.

RAND	Used to enter/exit the random play mode in SD/USB mode.
REP	Used to enter/exit the repeat play mode in SD/USB mode.
BAND	Used for station band selection in radio mode.
L/R MONO	In radio mode, used to switch the audio output mode between mono and stereo.
⏮ ⏭	Used to play the previous/next track, or speed up playing the current track backward/forward.
MODE	Used to switch unit operation modes
ME DSP	Used for clock display and clock setting.

**NOTE:** for details, please refer to the corresponding operation in different mode, which is described in latter chapter.

### Basic Operation

#### 1. Turn On/off The Player

To turn on the unit, press ON/OFF key on the front panel or press the POWER key on the remote controller. To turn off the unit, press them again.

#### 2. Volume Adjustment

Rotate right/left the SEL/EQ button on the front panel or press the VOL+/VOL- button on the remote controller to adjust the volume to your desired level.

#### 3. Audio Effect Adjustment

Short press the SEL/EQ button constantly until the unit switch to the item you want (BAS/TRE/BAL/FAD), and then rotate the SEL/EQ button to adjust the level. Also you can obtain the same effect by short pressing the SEL button on the remote controller, and then pressing the VOL+/VOL- similarly.

#### 4. Audio Effect Selection

Short press the P/N button on the remote controller, the unit will switch the audio effect among Class, POP, and Rock.

#### 5. Mode Switch

Short press the FUN button on the front panel or MODE key on the remote controller, switch the unit running mode among Radio, AUX, USB and CARD.

#### 6. Clock Display And Clock Adjustment

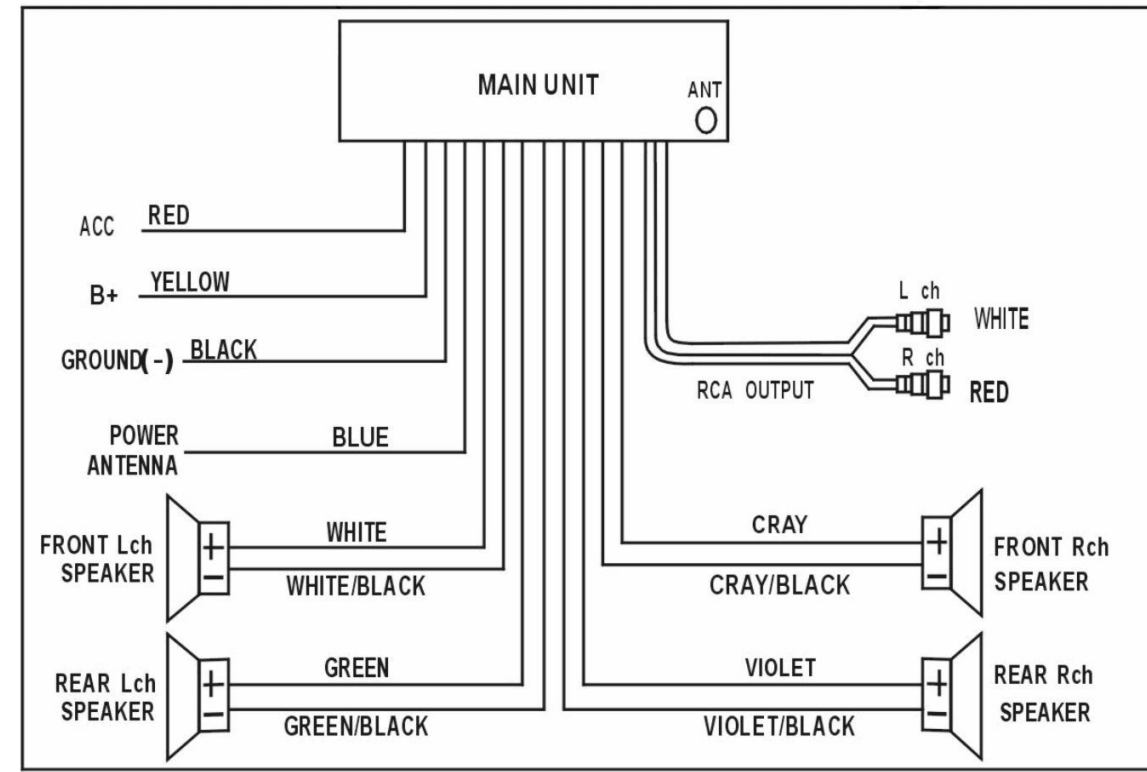
**Clock display:** The unit displays the clock all the time while power off. While power on, short press the DISP button on the front panel, display the current clock. And it will exit clock display automatically a moment later.

**Clock adjustment:** Turn off the unit, short press the DISP button to make the hour display flashing, short press the SEEK+/SEEK- button on the front panel or ⏮/⏭ on the remote controller to adjust the hour; press the DISP button again to switch to minute setting with the minute display flashing. Similarly, use the SEEK+/SEEK- button on the front panel or ⏮/⏭ on the remote controller to adjust the minute, and short press DISP button once more to exit clock setting.

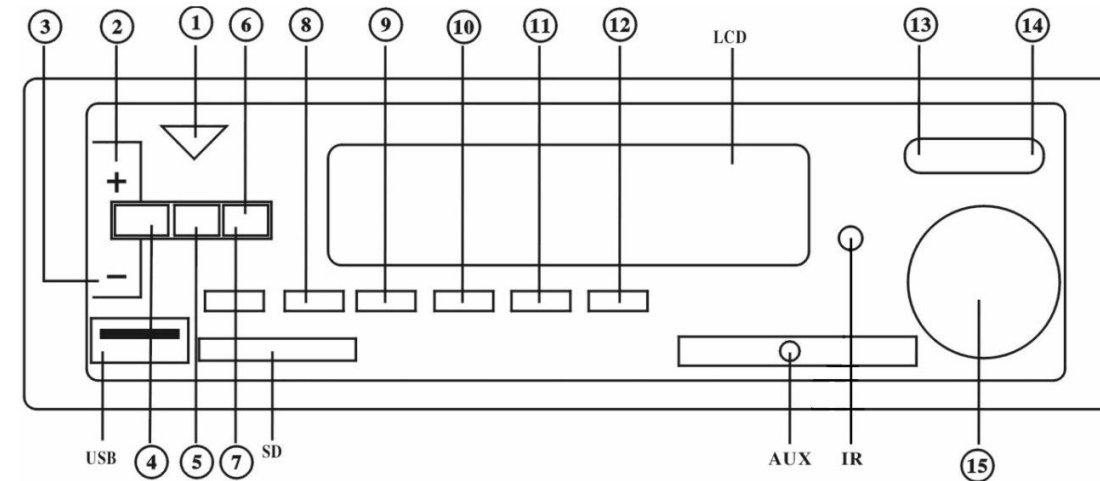
#### 7. Sound Channel Switch

Refer to the L/R MONO button introduction in the **Function Of The Remote Controller** table.

### Wiring Connection Diagram



### Front Panel Diagram



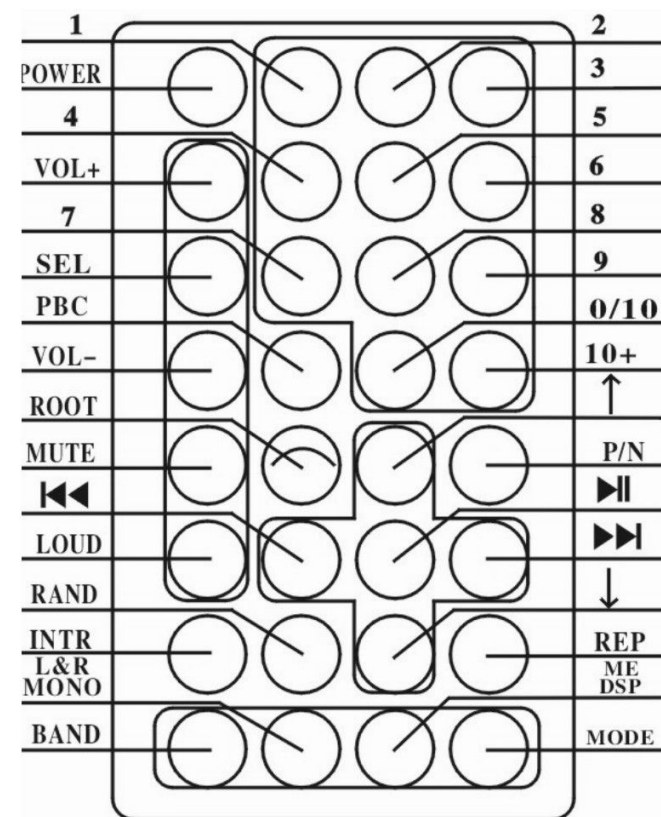


**Function Of The Unit Front Panel**

Button	Function
1. ON/OFF	Power switch.
2. SEEK+	Search the next radio station manually or automatically in radio mode; select the next track to play or speed up playing the current track in USB/CARD mode.
3. SEEK-	Search the previous radio station manually or automatically in radio mode; select the previous track to play or speed up playing the current track in USB/CARD mode.
4. BAND	Station band selection in radio mode.
5. MUTE	Short press, turn off the audio output; press once more to turn on the audio output.
6. FUN	Mode switch.
7. 1/PAUSE	Select the radio station stored in memory 1 or store the current station in memory 1 in radio mode; select the first track to play or press it to make the current playing track pause in USB/CARD mode.
8. 2/SCAN	Select the radio station stored in memory 2 or store the current station in memory 2 in radio mode; select the second track to play or used for scan play in USB/CARD mode.
9. 3/REPT	Select the radio station stored in memory 3 or store the current station in memory 3 in radio mode; select the third track to play or used to repeat play in USB/CARD mode.
10. 4/RADM	Select the radio station stored in memory 4 or store the current station in memory 4 in radio mode; select the forth track to play or used to play tracks randomly on screen in USB/CARD mode.
11. 5	Select the radio station stored in memory 5 or store the current station in memory 5 in radio mode; select the fifth track to play in USB/CARD mode.
12. 6	Select the radio station stored in memory 5 or store the current station in memory 5 in radio mode; select the sixth track to play in USB/CARD mode.
13. APS	Scan and hold every preset station for a few seconds or scan stations from the low frequency to high frequency, and store the six stations with the strongest signal in corresponding memory in radio mode.
14. DISP	Used to display clock, adjust clock.
15. SEL/EQ	Used for multi-function selection.

**NOTE:** for details, please refer to the corresponding operation in different mode, which is described in latter chapter.

**Remote Controller Diagram**



**Function Of The Remote Controller**

Button	Function
POWER	Refer to ON/OFF (in <b>Function Of The Unit Front Panel</b> table).
0~9	Used to select your desired track to play by entering the item number.
VOL+	Used to turn up VOL/BAS/TRE/BAL/FAD.
SEL	Refer to SEL/EQ (in <b>Function Of The Unit Front Panel</b> table).
VOL-	Used to turn down VOL/BAS/TRE/BAL/FAD.
PBC	No function.
10+	Used to select the track whose number is bigger than the current playing one by ten in USB/CARD mode.
MUTE	Refer to MUTE (in <b>Function Of The Unit Front Panel</b> table).
ROOT	Refer to APS (in <b>Function Of The Unit Front Panel</b> table).
P/N	Used to switch audio effect.
↑↓	No function.
⏸	Pause/resume play.
LOUD	Used to enable/disable XBASS output.
INTR	Used to enter/exit the scan play mode in SD/USB mode.